

Features

- Spring assisted scissor arms for easy raising and lowering.
- Unique design maintains screen flatness.
- Inbuilt Carry Handle and self levelling feet.

Product Code	Aspect Ratio	Diagonal Size (in)	Image Size w x h (mm)	Casing Length (B) (mm)	Total Height (A) (mm)	Top Border (mm)	L/R Border (mm)	Bottom Border (mm)	Shipping Size w x h x d (mm)	Net Wt (kg)
GRUC070V	4:3	70"	1420 x 1065	1585	1950	25	35	700	1685 x 180 x 150	5.2
GRUC080V	4:3	80"	1625 x 1220	1790	2105	25	35	700	1890 x 180 x 150	6.0
GRUD070H	16:9	70"	1550 x 870	1710	1755	25	35	700	1810 x 180 x 150	5.4
GRUD080H	16:9	80"	1770 x 995	1930	1880	25	35	700	2030 x 180 x 150	6.1
GRUG080C	16:10	80"	1725 x 1075	1930	1975	25	50	720	2030 x 180 x 150	6.1

Specifications for GV Fast Fold Screen

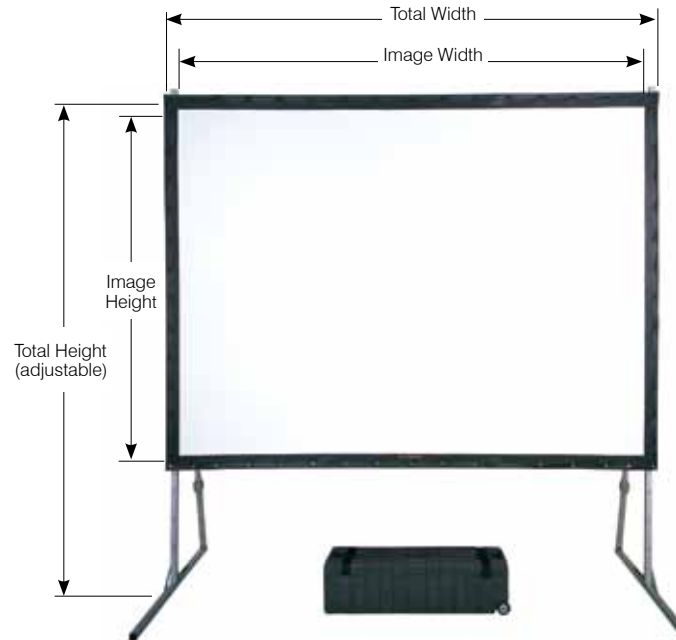
Includes road case, front projection surface and frame

Product Code	Diagonal	Aspect Ratio	Image Size w x h (mm)	Total Width (mm)	Total Max Height (mm)	Total Min Height (mm)	Shipping Size l x h x d (mm)	Weight (Inc. Fabric) (kg)
GRQQA120V	120"	4:3	2440 x 1830	2620	3415	2705	1350 x 450 x 390	27
GRQQA150V	150"	4:3	3050 x 2290	3255	4210	3205	1480 x 450 x 390	30
GRQQA180V	180"	4:3	3660 x 2745	3860	4155	3025	1390 x 510 x 410	33
GRQQA200V	200"	4:3	4065 x 3050	4230	4315	3205	1390 x 510 x 410	34
GRQQA250V	250"	4:3	5080 x 3810	5300	5510	5285	1685 x 535 x 500	52
GRQQB120H	120"	16:9	2655 x 1495	2835	2700	2280	1350 x 450 x 390	27
GRQQB150H	150"	16:9	3320 x 1870	3530	3400	2700	1480 x 450 x 390	30
GRQQB180H	180"	16:9	3985 x 2240	4185	3960	3185	1390 x 510 x 410	33
GRQQB200H	200"	16:9	4430 x 2490	4625	3910	3185	1390 x 510 x 410	34

* 250" (GRQQA250V) provided with Front and Rear Projection Fabric

Rear Projection Surfaces

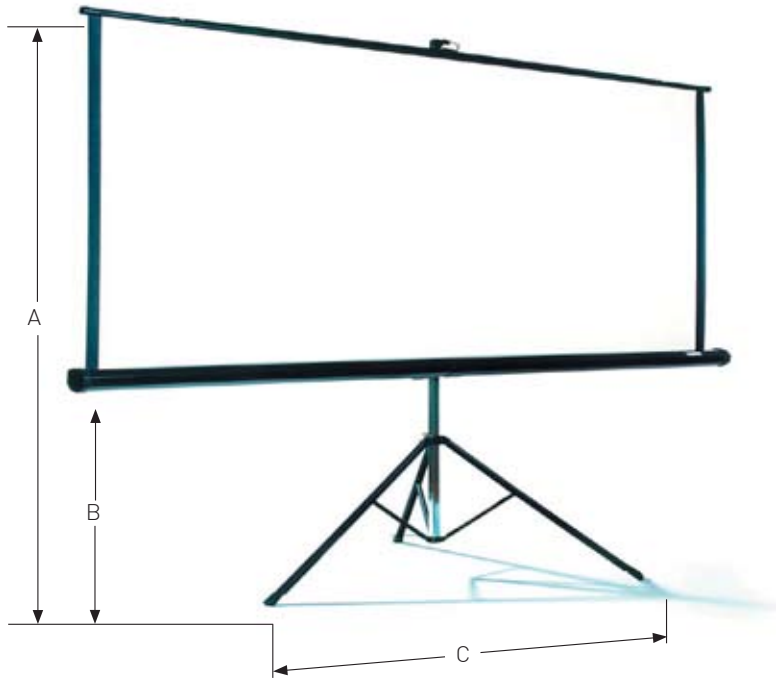
Product Code	Diagonal	Aspect Ratio	Image Size w x h (mm)
GRQRA120V	120"	4:3	2440 x 1830
GRQRA150V	150"	4:3	3050 x 2290
GRQRA180V	180"	4:3	3660 x 2745
GRQRA200V	200"	4:3	4065 x 3050
GRQRA250V	250"	4:3	5080 x 3810
GRQRB120H	120"	16:9	2655 x 1495
GRQRB150H	150"	16:9	3320 x 1870
GRQRB180H	180"	16:9	3985 x 2240
GRQRB200H	200"	16:9	4430 x 2490



Features

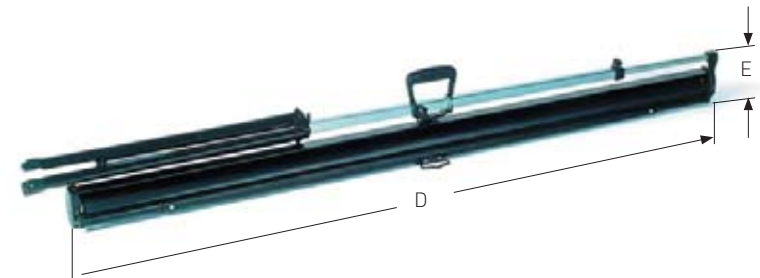
- Quick and easy to erect, snap in frame, press studded surfaces.
- Supplied with a durable travel case, on wheels.
- Front and rear projection surfaces available.
- Larger sizes, custom sizes and 16:9 ratio possible, POA.

Specification For GV Tripod Screens



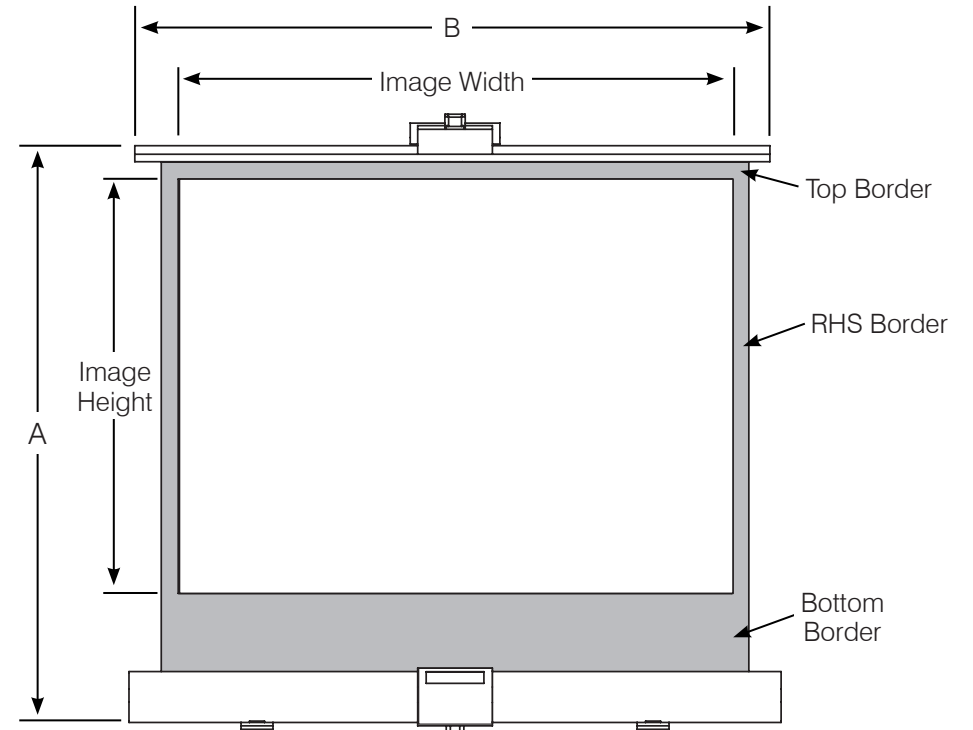
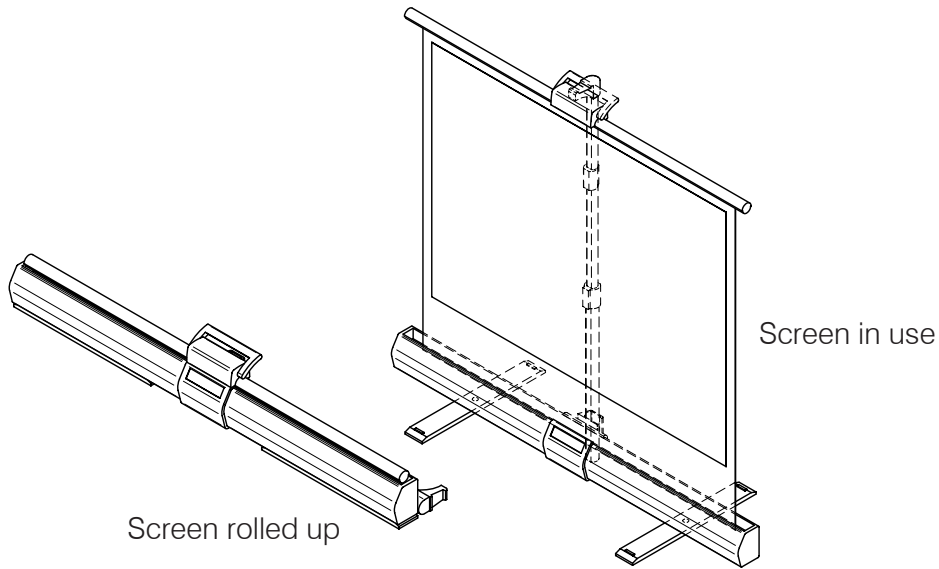
Features:

- Black steel casing incorporating tripod legs.
- Manual pull up (adjustable height).
- Plana R front projection fabric.
- Free standing on the floor.
- Note: The tripod is not detachable from the screen.



Product Code	4:3	16:9	Image Size w x h (mm)	Transport size w x h x d (mm)	Dimension A (mm)	Dimension B (mm)	Dimension C (mm)	Dimension D (mm)	Dimension E (mm)	Weight
GRT1520	75"	69"	1520 x 1520	1910 x 200 x 120	2850	895	930	1705	105	8kg
GRT1720	85"	78"	1720 x 1720	2110 x 200 x 120	2785	950	970	1895	70	8kg
GRT2030	100"	92"	2030 x 2030	2440 x 200 x 120	2945	705	670	2225	75	12kg

Specifications for GV Portable Pull Up Screen



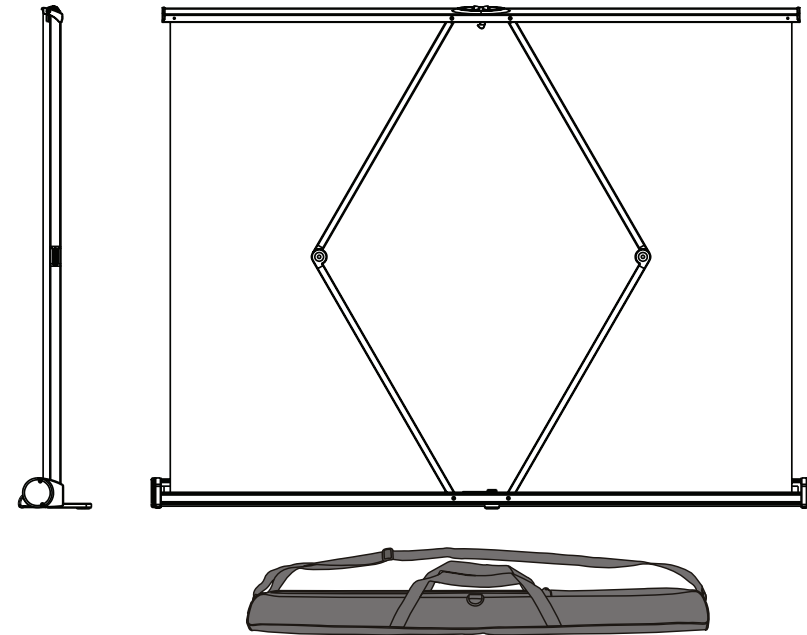
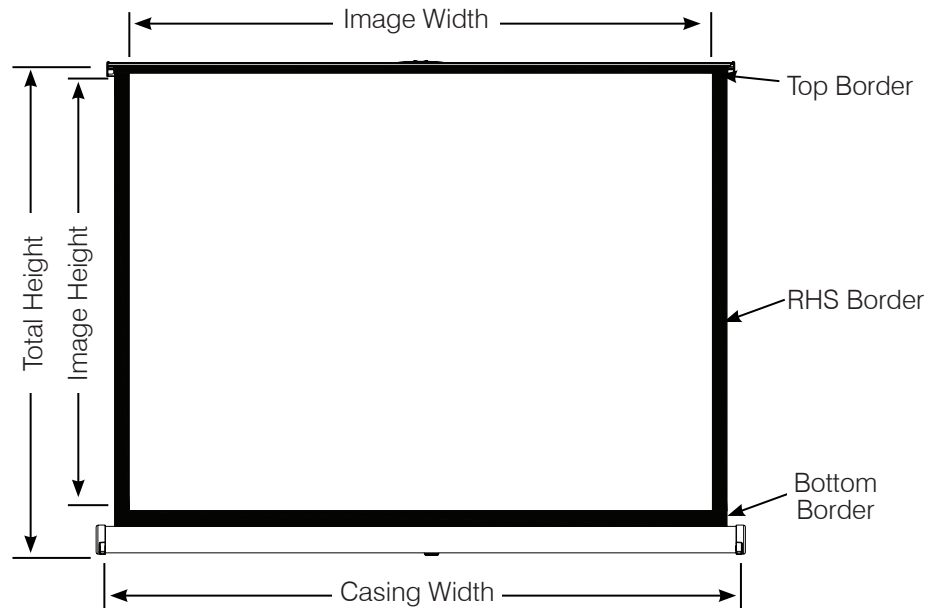
Features

- Light weight, fully portable, ergonomically designed.
- Spring loaded screen self-retractable, lockable handle.
- Swivel leg, self-standing front projection display.

Product Code	Spec	Format	Image Size w x h (mm)	Total Width (B) (mm)	Total Height (A) (mm)	Top Border (mm)	L/R Border (mm)	Bottom Border (mm)	Shipping Size l x h x d (mm)	Net. Weight(kg)
GRUA060V	60"	4:3	1220 x 910	1380	1560	25	35	500	1480 x 150 x 180	4.5
GRUA080V	80"	4:3	1630 x 1220	1790	2060	25	35	500	1890 x 150 x 180	6.0
GRUA100V	100"	4:3	2030 x 1520	2195	2390	25	35	700	2290 x 150 x 180	7.0
GRUB060H	60"	16:9	1330 x 745	1490	1715	25	35	700	1590 x 150 x 180	4.5
GRUB080H	80"	16:9	1770 x 995	1915	2280	25	35	900	2120 x 150 x 180	6.0

All dimensions in mm

Specifications for GV Micro Pull Up Screen

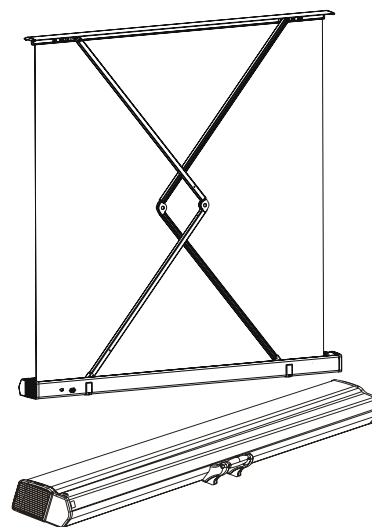
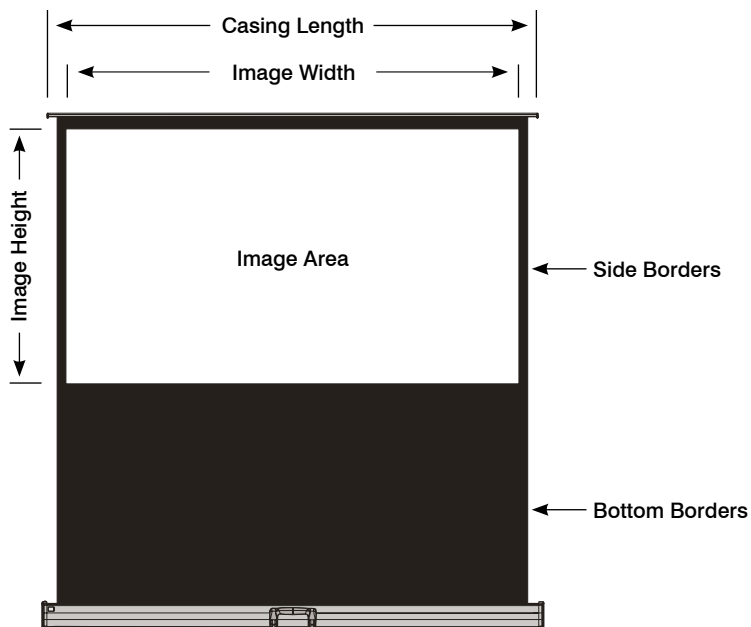


Features

- Lightweight Black Aluminium Case.
- Woven nylon carry-bag
- Simple locking mechanism
- Easy to use manually operated
- Free-standing

Product Code	Diagonal	Aspect Ratio	Image Size w x h (mm)	Casing Width w x h x d (mm)	Max Height (mm)	Borders (mm)	Shipping Size l x h x d (mm)	Net Weight (kg)
GRUC040V	40"	4:3	815 X 610	905 X 40 X 55	690	20	960 X 90 X 80	1.2

Specifications for Grandview Motorised Rising Screen



Features:

- Screen lowers and raises mechanically
- Remote operation with IR remote control
- Built in infrared sensor with optional extension cable
- Stylish casing
- Inbuilt carry handle
- Supplied with three pin plug

Product Code	Aspect Ratio	Diagonal Size (Inches)	Image Size w x h (mm)	Side Border (mm)	Bottom Border (mm)	Casing Dimensions w x h x d (mm)	Shipping Size w x h x d (mm)	Casing Colour	Net.Weight (kg)
GRFA080V	4:3	80"	1620 x 1210	35	600	1815 x 105 x 255	1950 x 250 x 370	Black	23
GRFB080H	16:9	80"	1770 x 995	35	800	1960 x 105 x 255	2095 x 250 x 370	Black	24